

HANDSET HB20

Features:

- Handset controlling up to 4 channels
- Easily operated by both left and right handed persons due to slim design
- Compatible with TD1 and TD2 dual actuators
- Cable type: 500 mm coiled part with 1215 mm straight end and 5-pole DIN plug
- Colour: light grey RAL 7016 with black and red symbols
- Simultaneously drive up and down on all versions which have more than one channel (the system runs sequentially on memory versions)

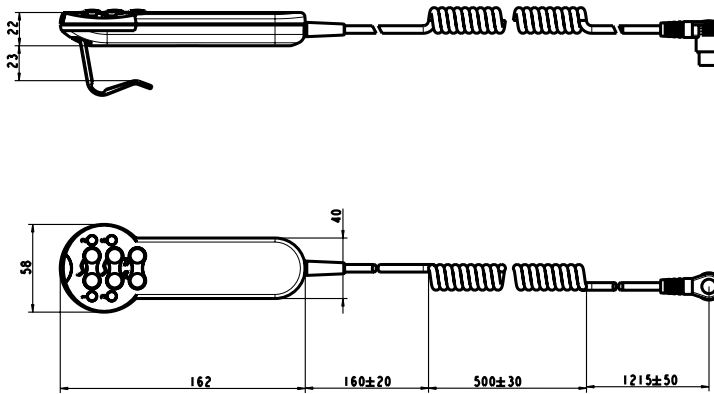
Options:

- Memory
- Infrared
- 9-core cable with DIN plug for the standard HB20 with 1 extra channel (analogue version)
- 5-core cable with modular jack plug for all memory systems
- Customised design on front cover



The HB20 series is the newest handset family within the comfort furniture segment. The handset series is compatible with the TWINDRIVE TD1 family TD1 220 and TD1 280 and the TD2. The HB20 series combines ergonomic design with a wide range of functionalities such as memory and infrared communication.

Dimensions:



Drawing no. 0739021

HB20

Ordering example:

HB2 10 00 + 00 00 0

0	Cable type:	0 = 5-core coiled (0.5m) + straight end (1.215m) 5 pole DIN plug (always for the standard version without memory or ekstra channels) 1 = 9-core coiled (0.5m) + straight end (1.215m) 8 pole DIN plug (Must be chosen when standard version + ekstra channel is selected) 2 = 5-core coiled (0.5m) + straight end (1.215m) 8 pole modular jack plug (Must always be chosen when memory is selected) 3 = No cable (only the C1 version)
00	Standard:	00 = Standard
00	Hook:	00 = (00 + B1 hook and dummy delivered separately) (C1 dummy mounted)
+	Colour:	+ = Grey (RAL 7016)
00	Functionality:	00 = Standard version compatible with TD1 220 + TD1 280 B1 = Reciever, memory and IR function (compatible with TD1 280) C1 = Transmitter version for use together with "B1" version" *
10	Number of motors:	10 = TD1 only headrest motor, no external actuators 20 = Standard 2 motor TD1, no external actuators 31 = Standard 2 motor TD1+ 1 external actuator
HB2	Type:	

All HB20 handsets with more than 1 channel, are always with reset function:

- Up = Simultaneous drive of TD1 motors
- Down = Simultaneous drive of all motors

* Inclusive 3 x AAA batteries (not mounted)

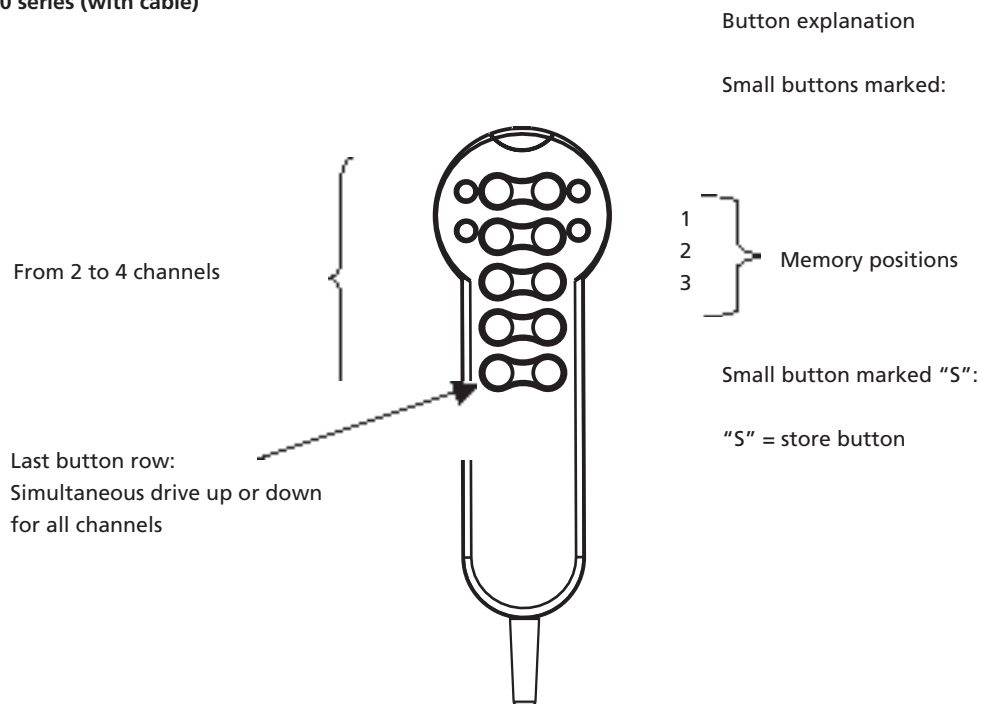
Note:

Holder for use together with dummy can be ordered separately in bags with 72 pcs. (ordering number 0730031)

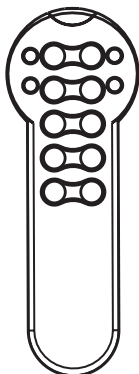
Note: B1 and C1 are a set if infrared is required. The number of channels/motors must be the same on both units.

Please observe that if 4 channels are required it will be a customised handset as the print on the cover will be special.

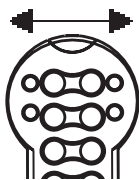
The HB20 series (with cable)



The HB20 series (with infrared outlet)



An infrared system consists of 2 handset units. 1 receiver mounted as a standard handset with cable in the TD1 and a wireless unit. The wireless unit (the transmitter) is the actual handset.



Before start-up:

- Install the 3 pcs. AAA-batteries in the handset.
- If the handset does not work hereafter the transmission channel must be changed. This is done by tipping the pin in the handset's eye to the opposite side by means of a blunt instrument - e.g. a ball pen.

If there are more beds with the same transmission channel in the same room, please be aware that all beds will drive. We recommend to change channel when activating the handset.

How to store

- Run to the wanted position
- Push "S"
- Right after press the required memory position (1, 2 or 3)
- The position is now stored

Memory drive

- Push (1, 2 or 3), keep the button down until the position has been reached

Note: To ensure optimal functioning of the system the receiver must not be covered.

The HB20 series consists of:

Standard HB20 handset "00":

- Analogue based
- No memory
- 1-3 channels
- 5 or 9 core cable with DIN plug (0.5 m coiled part and 1.215 m straight part)
- Reset function up and down (on versions with more than one channel)
- Compatible with TD1 220 and TD1 280
- Simultaneously drive up and down on all versions which have more than one channel (the system runs sequentially)

Memory and infrared system "B1": (Receiver)

- LINBUS based principle
- 2-4 channels
- 5-core cable with modular jack plug (0.5 m coiled part and 1.215 m straight part)
- Simultaneously drive up and down on all versions which have more than one channel (the system runs sequentially)
- Compatible with TD1 280 (prepared for memory)
- Can be used alone as a standard handset or as part of an infrared system with "C1"

Memory and infrared transmitter "C1"

- LINBUS based principle
- 2-4 channels
- Simultaneously drive up and down on all versions which have more than one channel (the system runs sequentially)
- Compatible with TD1 280 (prepared for memory)
- Part of the "B1" system as the transmitter

Product	Cable type	Number of channels (Internal + external)	Type
HB21000+00000	5-core cable with DIN plug	1+0	Standard
HB22000+00000	5-core cable with DIN plug	2+0	Standard
HB23100+00001	9-core cable with DIN plug	2+1	Standard
HB220B1+00002	5-core cable with modular jack plug	2+0	Memory, receiver
HB231B1+00002	5-core cable with modular jack plug	2+1	Memory, receiver
HB220C1+00003	Transmitter for B1	2+0	Memory, transmitter
HB231C1+00003	Transmitter for B1	2+1	Memory, transmitter

Specifications subject to change without prior notice.

It is the responsibility of the product user to determine the suitability of LINAK A/S products for a specific application. LINAK will at point of delivery replace/repair defective products covered by the warranty if promptly returned to the factory. No liability is assumed beyond such replacement/repair.