

# HANDSET HB10

**Features:**

- Easily operated by both left and right-handers
- Ergonomic and elegant design
- Tactile SMD switches secure long lifetime
- 500 mm coiled / 1215mm straight cable
- Colour grey (RAL 7035)
- Approval according to EN 60335-1
- Simultaneous drive down

**Options:**

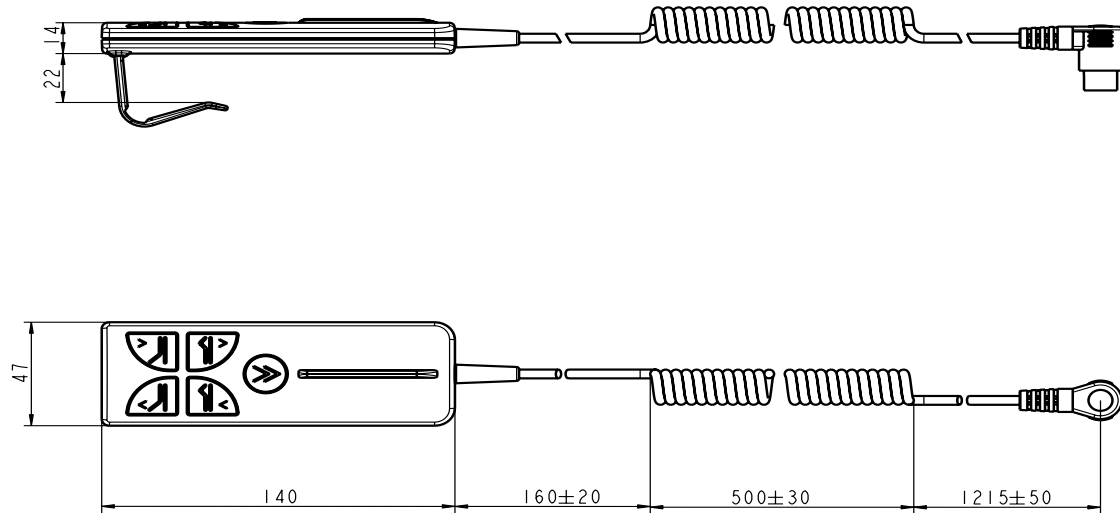
- Customised silk screen printing on cover.
- Colour black (RAL 9005)
- HB11 version is compatible with CB7
- Simultaneous drive up and down



**HOMELINE**  
IMPROVING COMFORT

The HB10 handset is designed for use with TWIN-DRIVE™ systems for leisure beds and comfort furniture e.g. recliners. The HB10 handset combines ergonomic design and functionality into a user-friendly handset.

**Dimensions:**



**HB10**

Ordering example:

HB 1 2 R0 0 + 0 00 0500

- Cable length:  
0500 = 500 mm coiled
- Cable type:  
00 = 5-core coiled cable, 5P DIN plug for 2 channels (TD1+TD2)  
03 = 5-core coiled cable, 8P modular jack plug for 1 channel (CB7)
- 0 = With hook
- Colour:  
+ = grey  
- = black
- Silk screen printing:  
0 = Standard
- Functionality:  
00 = Common  
R0 = Common with simultaneous down (Head+Foot)  
R1 = Common with simultaneous up and down (Head+Foot)
- no. of ports: 1 - 2

HB11000-0030500



HB12R00-0000500



HB12R00+0000500



HB12R10+0000500



---

Specifications subject to change without prior notice.  
It is the responsibility of the product user to determine the suitability of LINAK A/S products for a specific application. LINAK will at point of delivery replace/repair defective products covered by the warranty if promptly returned to the factory. No liability is assumed beyond such replacement/repair.