

# CBJ-HOME

## Features:

- Protection class IPX4
- Approx. 40 cycles per charge (as with CBJ)
- Mounting without bracket
- Soft start
- Colour grey RAL 7035
- Learn mode for adjustable current cut off via a special handset
- Emergency stop button
- Buzzer sounds if battery capacity is low (2 - 10 cycles left)
- Front cover with:
  - Green LED indication of handset activation
  - Yellow LED indication of charging
  - Button for electrical emergency lowering

## Options:

- Internal Charger

## Usage:

- CBJ-Home is only compatible with LA31, LA34 (not fast motor) and LA44 (not fast motor) on channel1 (Hi/Lo) and LA31 on channel 2 (leg spreader)
- Duty cycle: Max. 10% or 2 min. continuous use then 18 min. without use
- Ambient temperature +5° to +40°C

CARELINE®  
IMPROVING EFFICIENCY



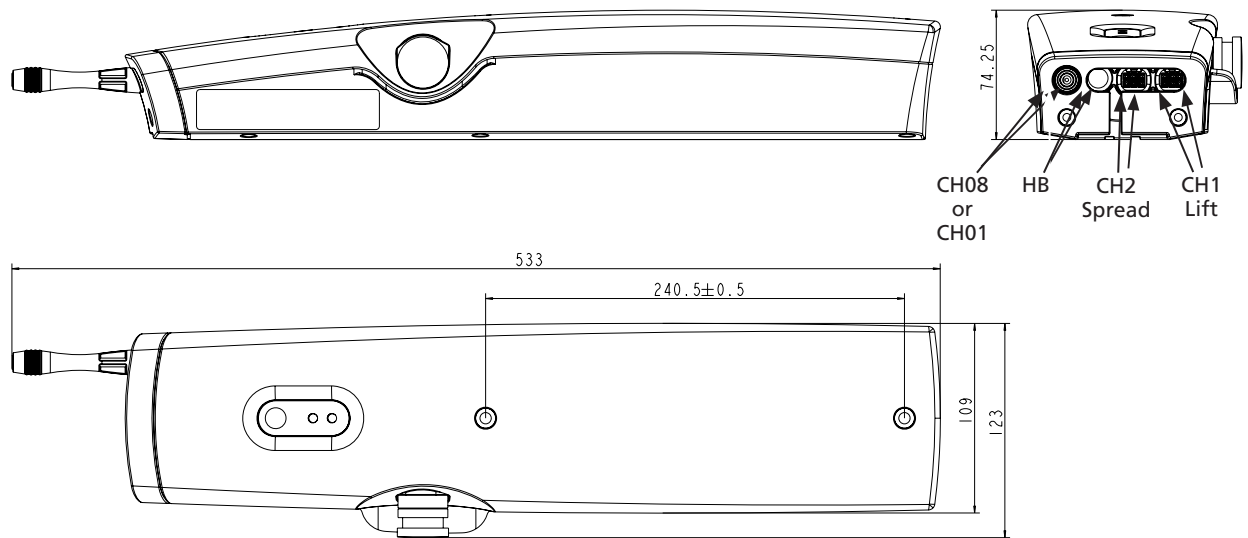
The CBJ-Home is a specially developed solution for patient lifts. The complete system consists of a control box and a battery enclosed in a single elegant module.

The system is medically approved and contains a series of features ensuring a safe comfortable lift, e.g. the CBJ-Home is equipped with a soft-start function, emergency lowering, emergency stop etc.

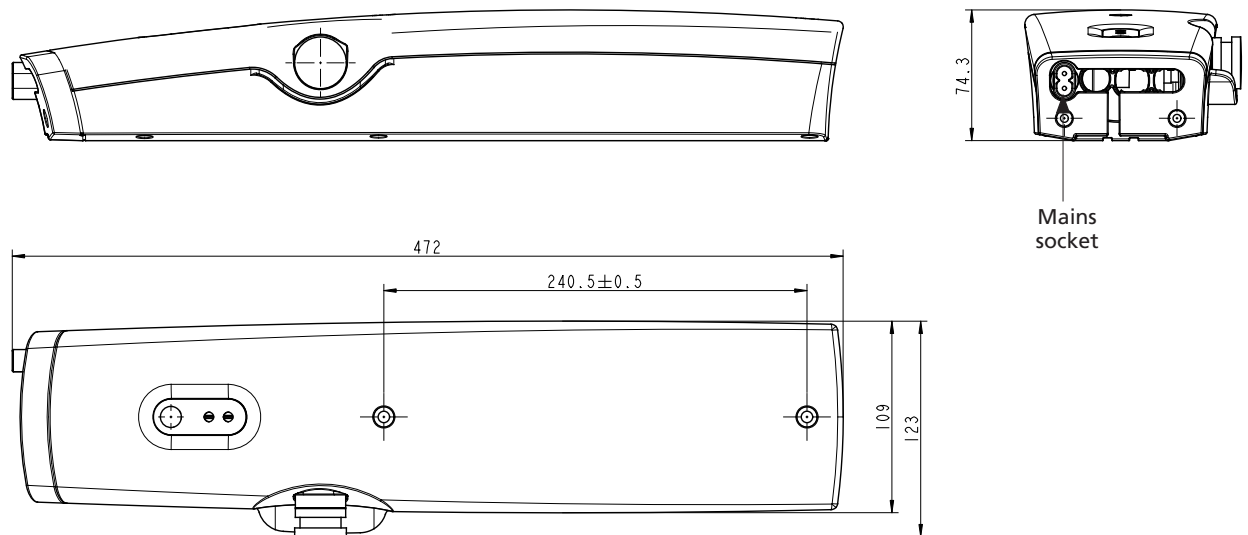
**Precautions:**

- If emergency stop is pressed whilst charging, the batteries will not be charged.
- When charging, the CBJH will not be able to operate any actuators.
- For recharging the batteries, use chargers CH08 or CH01 (both chargers have to be ordered separately) Mains cable must be ordered separately if internal charger is chosen.
- Note: Always mount the CBJH with the channel sockets facing downwards
- The CBJH is not intended for use with "buffer" type actuators such as LA28 and LA32 – only LA31, LA34 and LA44
- The actuator must always be fitted with an exchangeable cable (mini-fit) socket
- Actuators on channel 1 must always be with spline

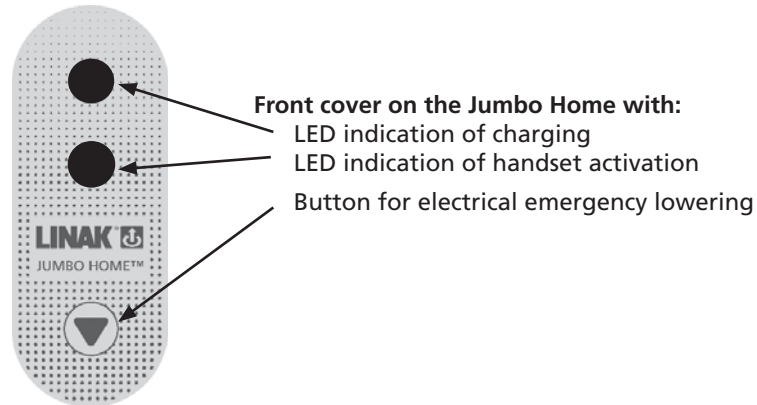
**Dimensions  
(with external charger):**



**Dimensions  
(with internal charger):**



**Indicator:**

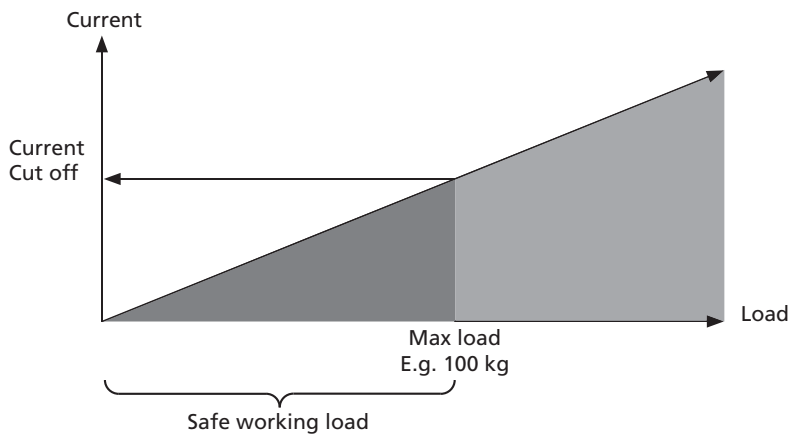


**Learn mode:**

The patient hoist norm: EN10535 states that a patient hoist is not allowed to lift more than 1.5 times the max weight it is intended for. For example, if the lift is intended for max. 100kg it should not be able to lift more than 150kg.

By using the learn mode function it is possible to programme the LINAK JUMBO control box (JUMBO Care or JUMBO Home) so that the control box automatically stops whenever the max. intended weight is exceeded.

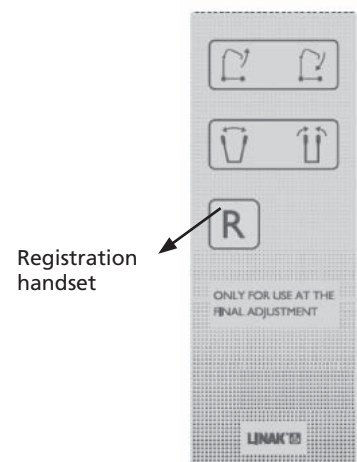
**Current and load curve:**



**Precautions:**



- It cannot be guaranteed that the actuator will stop exactly at the weight that is stored as the motors in the actuators will use less current when run in. Though it will never reach the 1.5 times max. load as the norm states.
- Tolerance for current cut off is: +/-10%
- The maximum cut-off value that can be registered (stored) is 8 Amp.
- If an actuator or CBJ is exchanged it will be necessary to reset the max. load to ensure the correct cut-off value for the new system as a whole.
- The registration function can only be activated by using a specially produced handset (HB7X161-00). A standard handset cannot activate the function.



Front cover nr. 00HBW073079  
to be fitted to handset  
HB7x161-00

**Mounting information:**

The CBJ Home is mounted by means of 2 screws:  
Type ISO4762-M6x90-8.8 (not supplied by LINAK)

**Spares information:**

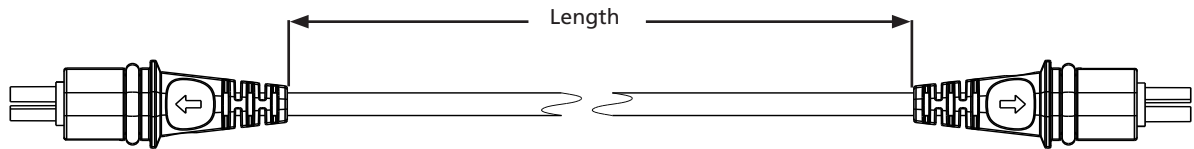
The cable lock kit consists of the following 3 items:

- 2 x screws
- 1 x blind plug for ch. 2 if not in use
- Cable Lock

All the cable lock items are included when ordering the kit, article number: 0898001-B.

**Cables:**

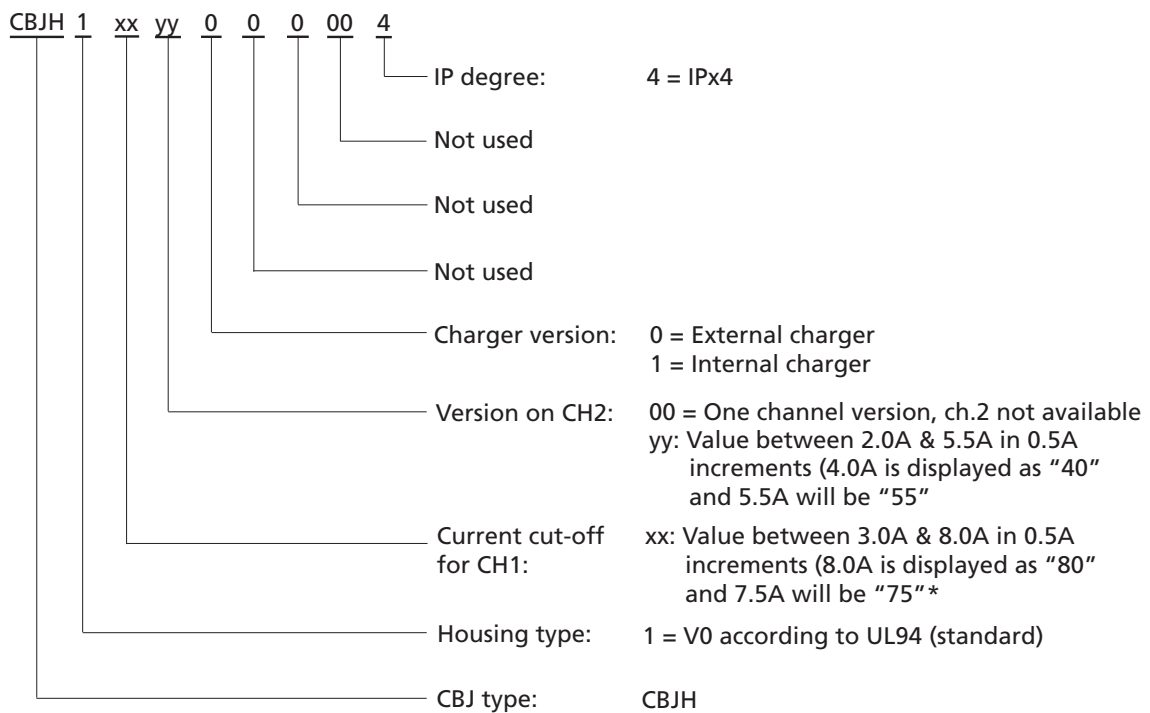
These are exchangeable cables with mini-fit ends, colour RAL7035 grey.



Cable item number:	Cable length (mm):
0964003-1000	1000
0964003-1250	1250
0964003-2500	2500
0964003-300	300
0964003-500	500

**Jumbo Home**

**Ordering example:**



\* If Learn mode is used it will override the chosen current cut-off.

Note: Current cut-off values should be ordered as close to the expected values as possible.

Cable lock and a kit with 2 screws and a blind plug is always included.

Specifications subject to change without prior notice.  
It is the responsibility of the product user to determine the suitability of LINAK A/S products for a specific application. LINAK will at point of delivery replace/repair defective products covered by the warranty if promptly returned to the factory. No liability is assumed beyond such replacement/repair.