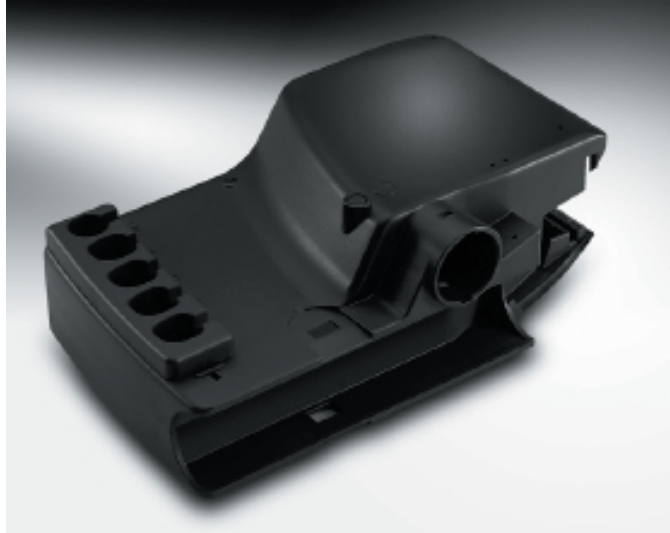


CONTROL BOX CB6



The control box CB6 has been specially developed for use together with LA27 in the care and rehab industry.

The control box is designed to be mounted on the actuator LA27 as with the CB9 and the LA31 system.

The control box CB6 has a LED power ON indicator, detachable mains cable and strain relief for all cables.

The control box CB6 communicates with the LA27 by means of the built-in end stop signal switches in the actuator. Due to the signal switches the power to the motor will be cut off in the control box and not in the actuator. This ensures that it is only possible to run in the opposite direction once the actuator has reached the end position.

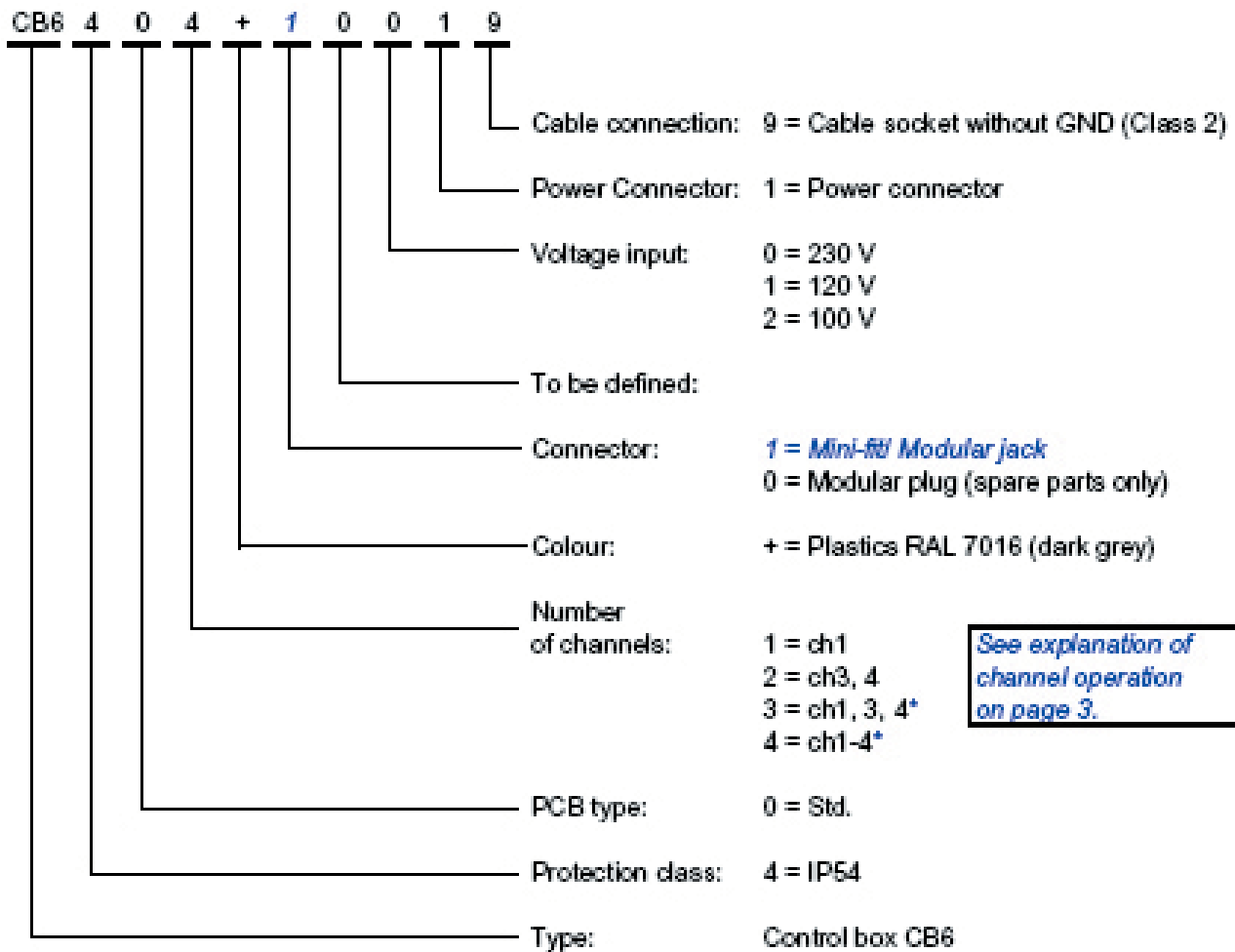
Features:

- Connection of max. 4 actuators (only LA27)
- Extremely compact design
- Mains voltage: 100/120/220-240V AC 50-60 Hz
- *Standby consumption 7W.*
- *Duty cycle: 2/18; 2 minutes continuous use followed by 18 minutes not in use*
- Output voltage 24V DC
- Ambient temperature: + 10° to + 40° C.
- Protection Class: IP54
- Colour: Dark grey (RAL 7016)
- Special socket for handsets HB70 0 Modular jack
- 3.2m straight mains cable
- *For approvals information see chapter 13.1*
- Locking mechanism for cables
- *Class 2 protection*

Options:

- Can be mounted on the LA27 by using the special mounting clip article no. 009271002-A

Ordering example:



See explanation of channel operation on page 3.



Precautions:

* *Be aware of the special handset configuration.*

- Mains cables must be ordered separately.
- Same cables variants as for CB9 Careline and CB12.
- Not all combinations are possible in the ordering example.
- The CB6 is only available in a few standard versions.
- Combining a new standard version from the ordering example requires a min. potential of 10.000 pieces per year.
- The CB6 can only be combined with LA27 and *HBW07x / HLW07x*.
- New plugs are introduced as replacements for the old AMP plugs (March 2002).
Actuator socket = Mini-fit (6 pins), HB socket = Modular jack (RJ45: *10 pins*)

Various information:

- A special clip used when mounting onto the LA27 is supplied with the CB6. It can also be ordered separately quoting article no. *009271002-A (as a spare part)*.
- It is possible to order blind plugs (500 pr. bag) for the actuator connections. New type *article no.009271027 (replaces article no. 009271017)*
- The following CB6 standard versions can be ordered with a min. quantity of 500 pieces per order: CB6403+00019 = CB6403+10019
CB6404+00019 = CB6404+10019

Channel explanation:

<i>When actuator X reaches the end-stop, then actuator Y can also be affected.</i>		
CB Type (number of channels)	Actuator X (channel in use)	Actuator(s) Y (influence on other actuators)
1	1	-
2	3	no influence
	4	no influence
3	1	3, 4 (also stop)
	3	no influence
	4	no influence
4	1	2, 3, 4 (also stop)
	2	1, 3, 4 (also stop)
	3	no influence
	4	no influence

How to read the table:

The 4 type (CB6404+10019) has 4 channels.

If the actuators in either **channel 1 or 2** reach an end stop position and stop, then all other actuators will stop at the same time.

If actuators running in **channels 3 or 4** reach the end stop position it will not influence any of the other actuators.

Example with *CB6403+10019*:

a) If channels 1 and 3 run together and channel 3 reaches the end stop then the actuator in channel 1 will continue running.

b) If channels 1 and 3 run together and channel 1 reaches the end stop, then the actuator in channel 3 will also stop.

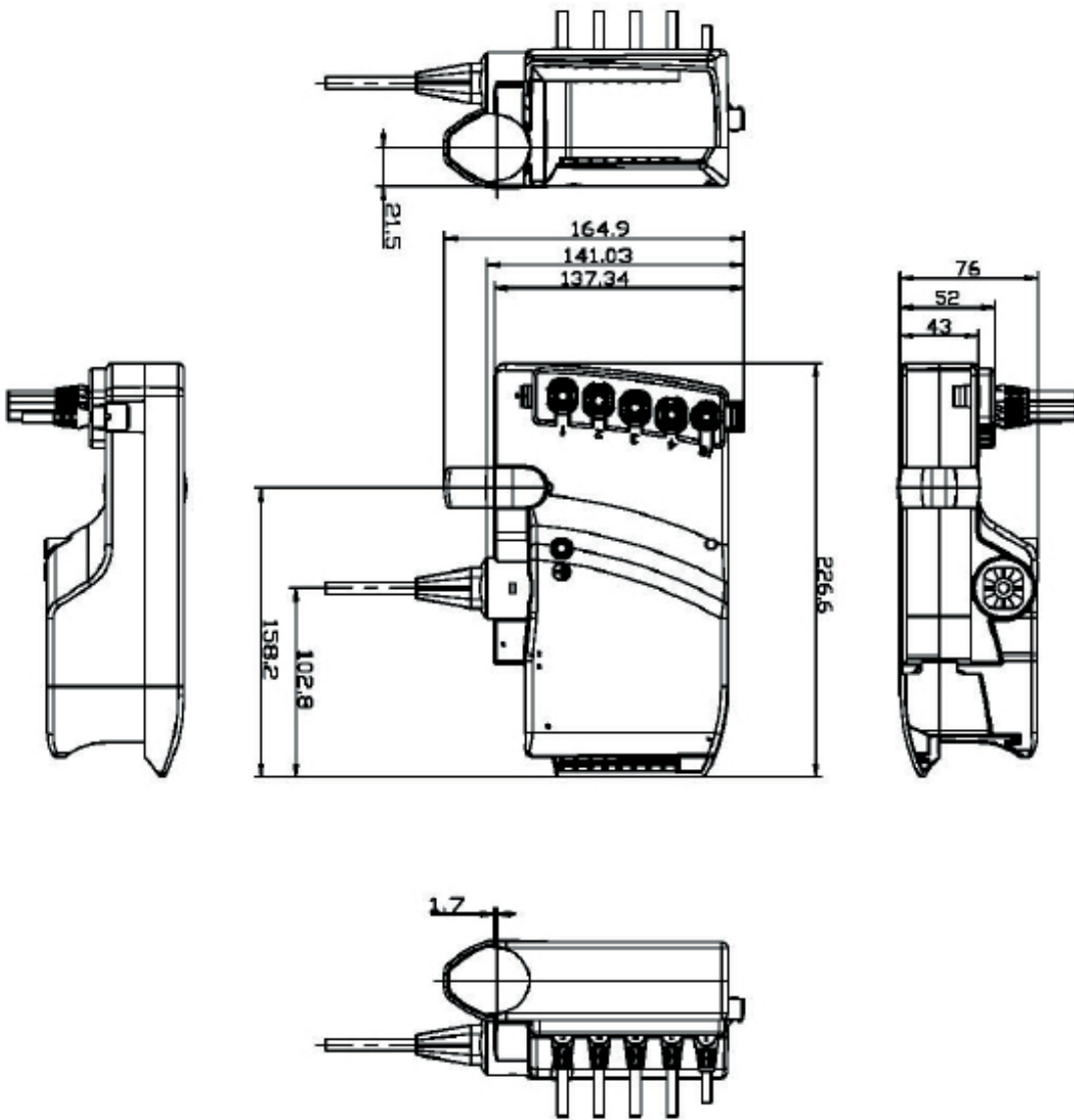
When channel 1 has stopped it is possible to start up channel 3 again (if it is not in end stop).

Note:

For CB6 the current will be cut off when the total current on all channels reaches approx. 5.1 to 5.4 Amp.

This means that when two LA27's running simultaneously are connected to a CB6 they will not be able to lift the max. load mentioned under technical specifications (LA27).

Dimensions:



Drawing no. CB06001B