

DL4 DESKLIFT

Features:

- Thrust: up to 800 N (per leg)
- Speed: up to 43 mm/s with CBD4
- Standard installation dimension: 560 mm
- Standard stroke length: 675 mm
- Colour: Black RAL 9005 or grey RAL 9006 "aluminium white"
- Low and uniform noise level
- Separate motor cables (black: 1000, 2000, or 2500 mm)
- Bending moment: max. 1350 Nm static, max. 150 Nm dynamic
- Typical current consumption: 7.8 amp. at max. thrust (per DL4)
- Hall sensor (enables parallel drive with CBD4)
- With or without mounting bracket for crossbar in parallel system
- Double acting brake for increased self-locking

Option:

- Customer colours

Usages:

- Single or parallel drive (up to 16 legs in a multi-parallel system)
- Duty cycle: 10% or 6 min./hour or max. 2 min. at continuous use at full load
- Ambient temperature: +5°C to +40°C
- Compatible with control box CBD4 and the controls DP, DPA, and WDP
- Approved according to EN 60335-1 and UL 73
- Storage and transport temperature: -20°C to +70°C



The DL4 DESKLIFT is a compact lifting unit with a small installation dimension where the guide and actuator functions are integrated. The whole actuating unit with the motor is placed in the column itself, making it an inline unit ensuring an optimum freedom of design for the desk.

The DL4 is a 3-part telescopic column with a similar movement of the middle profiles in a parallel system.

The parallel drive is obtained by means of special software in the CBD4 control box that also compensates for an uneven load on the desk. In general the DL4 can either be part of a single, 2, 3 or 4 parallel system - or even a multiparallel system.

DL4 dimensions:

At a fully retracted length of 560 mm and a stroke length of 675 mm it is possible for a standard system to obtain an adjustment interval of the tabletop of e.g. 600 - 1275 mm. Therefore, the desk can be used for sitting as well as standing work.

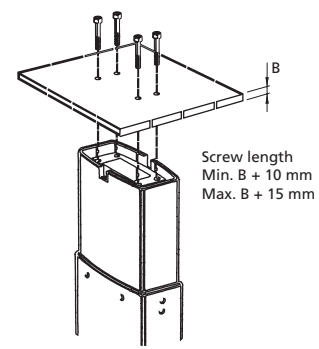
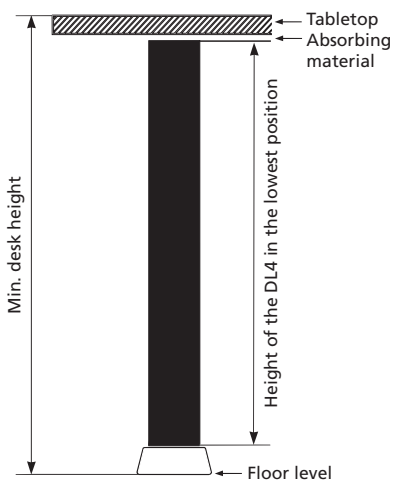
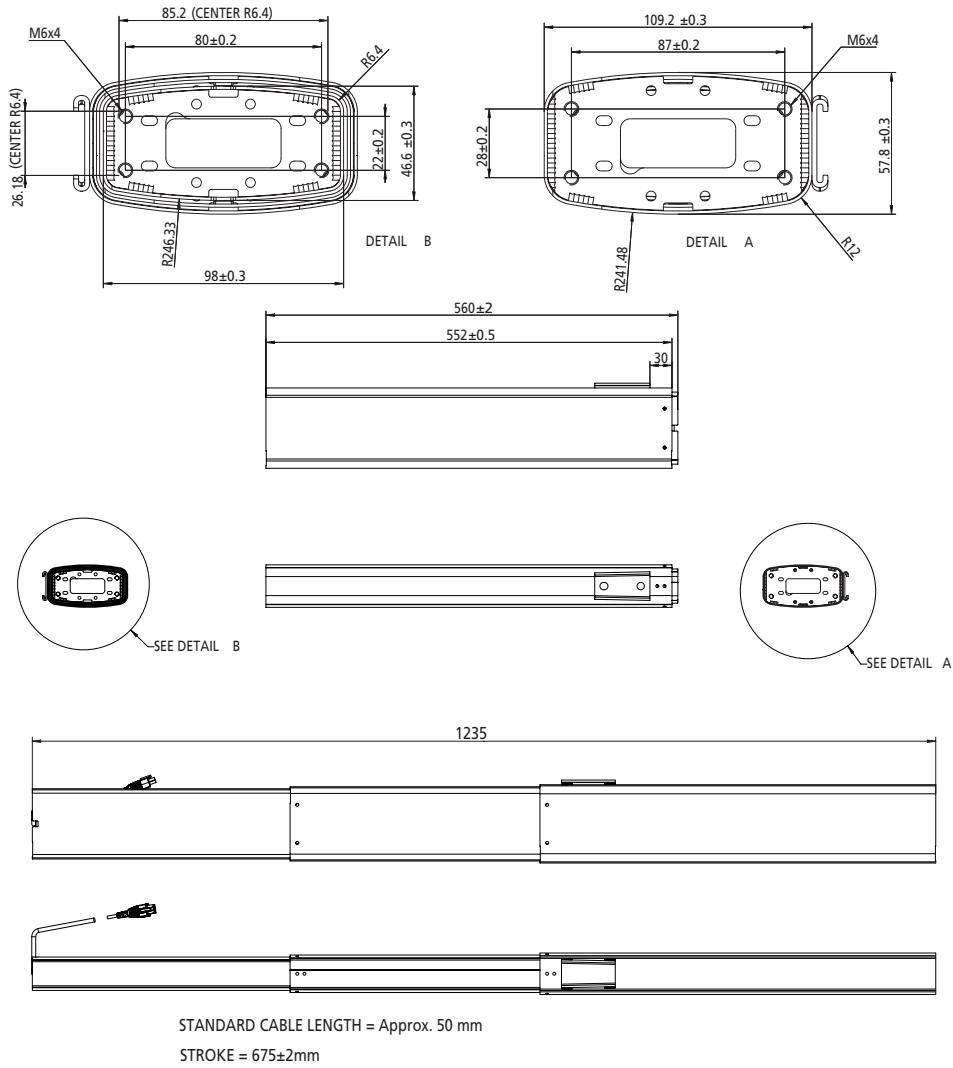


Figure 1

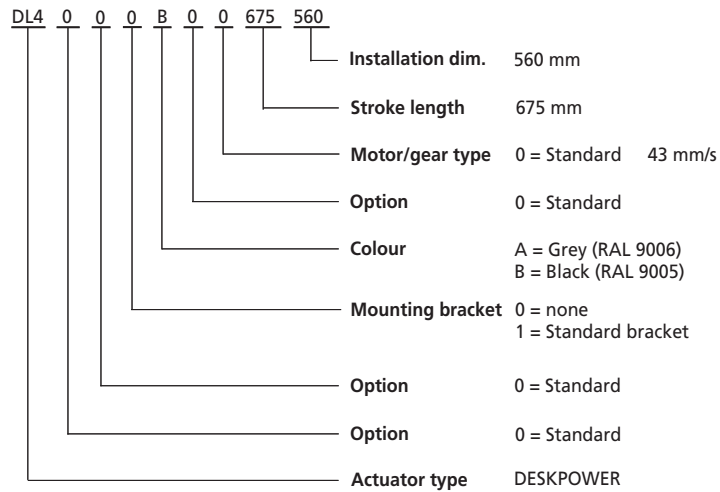
Example of how to mount the DESKPOWER® system



Placement of a monitor directly above the leg may cause malfunction of the monitor. Magnets inside the motor may interrupt the picture on the monitor depending on the distance between the motor and the monitor and the type of monitor. If this is the case the problem may be solved by placing an iron plate/tube or another magnetic material, somewhat larger than the DL4, between the motor and the desktop.

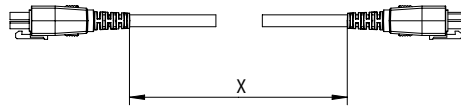
DL4

Ordering example:



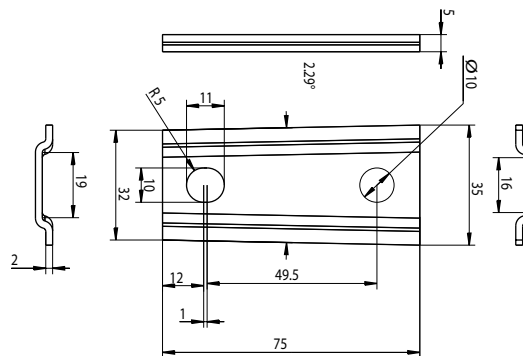
Motor cables must be ordered separately

Motor cables:



Ordering number: 0617100 (1000 mm black motor cable)
0617200 (2000 mm black motor cable)
0617250 (2500 mm black motor cable)

Bracket for crossbar:



Ordering number for crossbar brackets (box containing 100 pcs.): 0611871

Technical specifications:

Type	Thrust max. (N) pr. DL4	Self-lock (N) pr. DL4	Speed at 0 load (mm/s)	Duty cycle (%)	Amp. at full load in connection with CBD4	Transformer type: 2P
DL4	700	2400	43	10	7.8	200W
DL4	800*	2400	43	10	7.8	300W

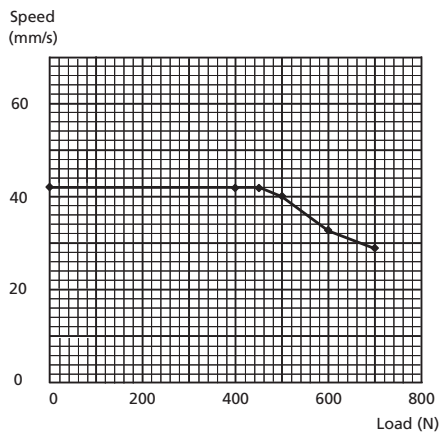
* 3P systems only 700N per DL4
Above measurements are made in connection with the CBD4 control box

Speed and current curve

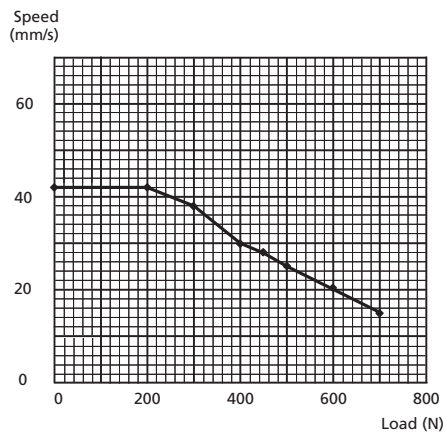
(measured with the CBD4 control box):

Load per leg

DESKPOWER DL4 Typical values

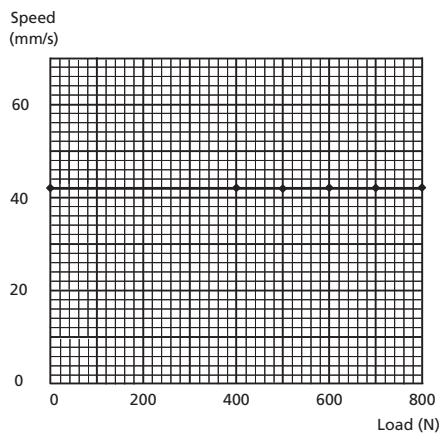


DESKPOWER DL4 Guaranteed values

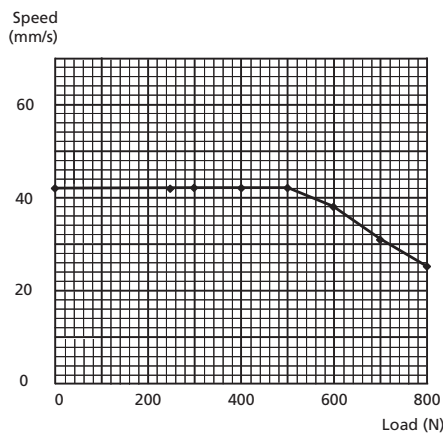


2 Parallel 200W

DESKPOWER DL4 Typical values

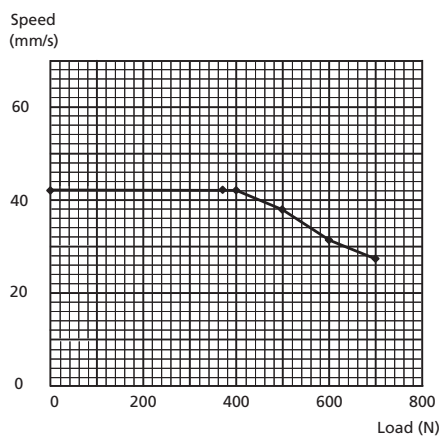


DESKPOWER DL4 Guaranteed values

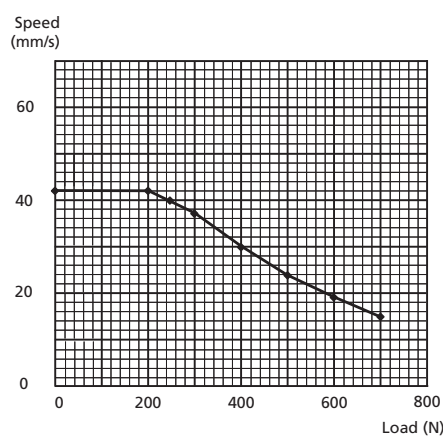


2 Parallel 300W

DESKPOWER DL4 Typical values



DESKPOWER DL4 Guaranteed values



3 Parallel 300W

Specifications subject to change without prior notice.
It is the responsibility of the product user to determine the suitability of LINAK A/S products for a specific application. LINAK will at point of delivery replace/repair defective products covered by the warranty if promptly returned to the factory. No liability is assumed beyond such replacement/repair.