

# DESKLIFT DL11

## Features:

- Thrust up to 800 N per leg (600 N for XL version)
- Speed level 38 mm/s unloaded
- Standard installation dimension 575 mm
- Standard stroke length 635 mm
- Colour: all parts black (RAL 9005), all parts grey (RAL 9006) or all parts white (RAL 9016)
- Low noise level
- Synchronous drive of the middle profile
- Separate motor cable (black: 1000 mm, 2000 mm or 2500 mm)
- Compact design where guide and actuator function are an integrated unit
- Dimensions column: 70 mm (outer profile), 63.5 mm (middle profile), and 57 mm (inner profile)
- The DL11 profile is secured against rotation/ twisting
- Dimension motor housing: 177 x 97 x 46mm (as DL6, but strengthened by a metal plate)
- Bending moment:  $M_y = \max. 150 \text{ Nm}$  dynamic (max. 100 Nm for DL11XL)
- Hall sensor (enables parallel drive)

## Option:

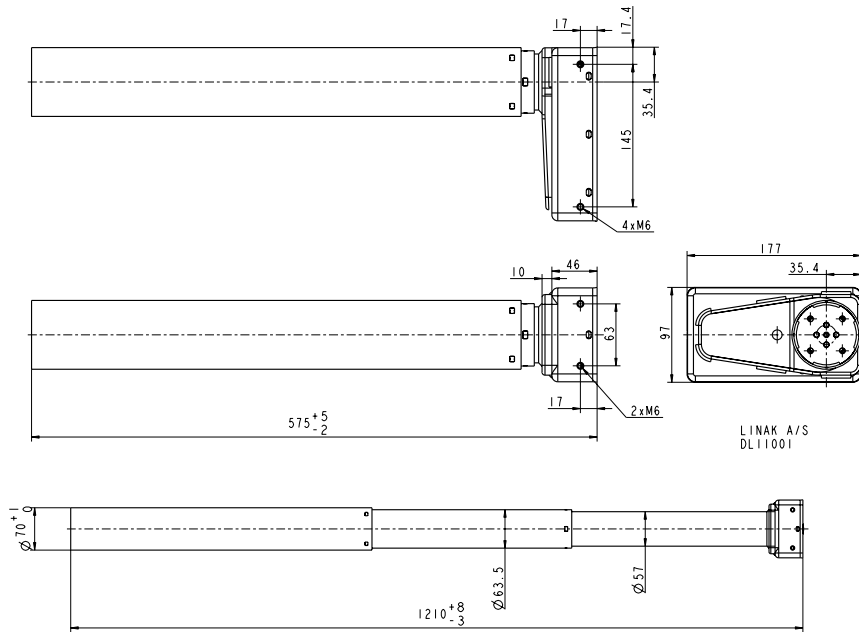
- Customised colours
- Extended version XL dedicated for flat screens
  - Installation dimensions 740 mm
  - Stroke length 965 mm
  - Load 600 N
  - Duty cycle 5% ~ 3 min. per hour or 2 min. at continuous use at full load
  - Bending moment max 100 Nm
  - Colour: Black RAL 9005, Grey RAL 9006 or White RAL 9016

## Usage:

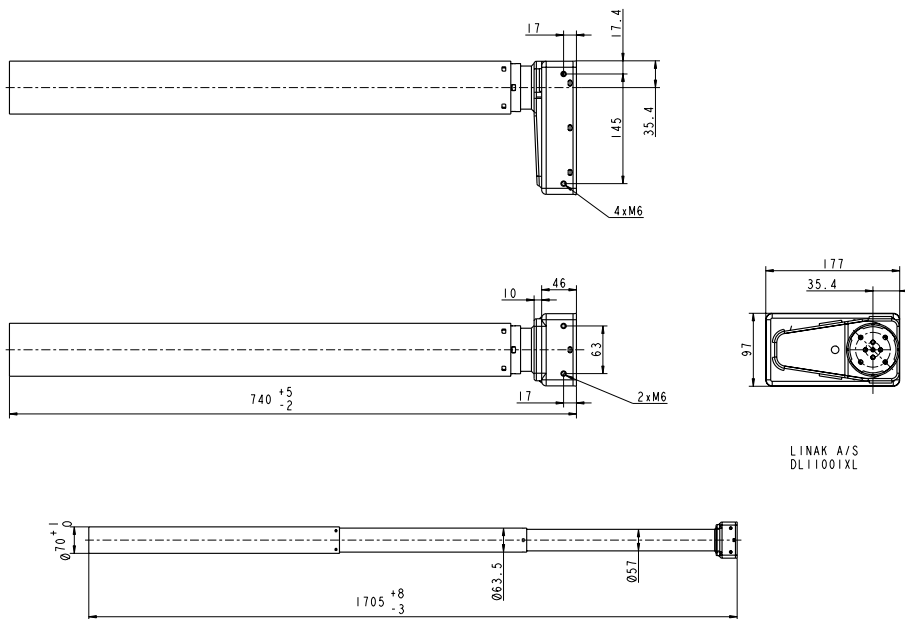
- Single or 2, 3, 4 parallel drive or even multi-parallel with up to 16 columns
- Duty cycle: 10% ~ 6 min. per hour or 2 min. at continuous use at full load
- Ambient temperature: +10° to +40 °C
- Compatible with control boxes CBD4, CBD5 and all DESKLINE controls
- Approved according to EN 60335-1 and UL 962
- Storage and transport temperature: -10°C to + 70°C



**Dimensions:**  
Standard version

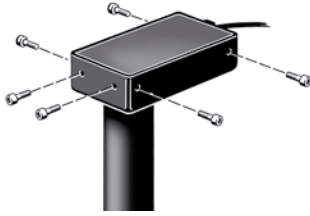


**Extended version**

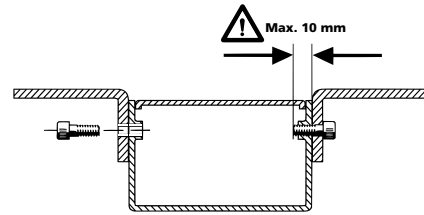


### Mounting guidelines for DL11 (motor housing)

The motor housing is supplied with 6 M6 threaded holes meant for mounting on to the desk frame. We advise you to fasten the desk frame by means of 6 pcs. M6 screws of a good quality (min. 8.8) and a suitable length, which must not go further into the motor housing than max.10 mm. The torque must not exceed 7.5 Nm.



Use all 6 M6 threaded mounting holes for screws



DL11 motor housing: be aware of the screw length.  
Too long screws may cause damages.

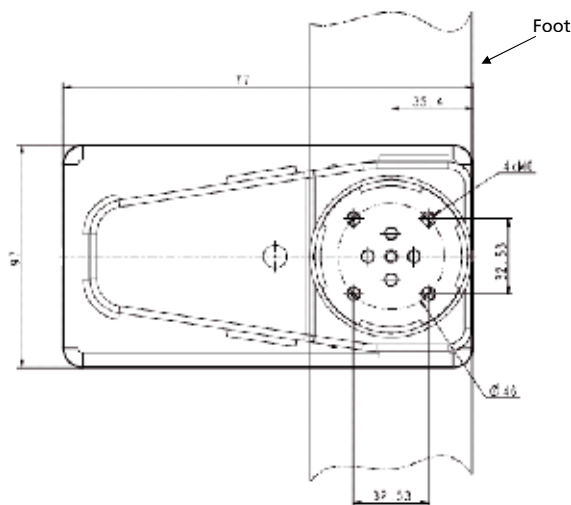


It is recommended to use all six M6 threaded holes to mount the desk frame. The bending moment values of the lifting units are only valid if the desk frame is mounted in this way. Tests with fixing the motor housing only by means of the 4 threaded holes have proved that this is not enough to obtain a sufficient torsional stability of the desk.

### Mounting guidelines for DL11 (foot part)

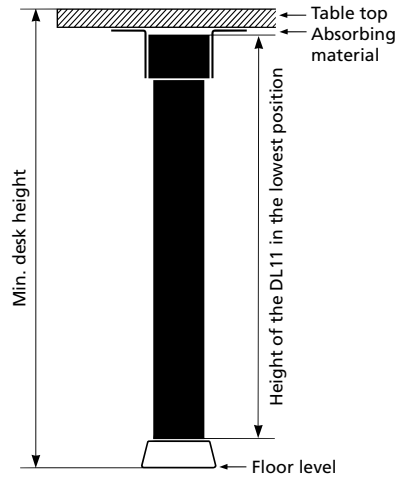
The DL11 is supplied with 4 M6 threaded holes for mounting of the foot. We advise you to fasten the foot by means of 4 pcs. M6 screws of a good quality (min. 8.8) and of a suitable length, which must not go further into the DL11 column than 20 mm. The torque must not exceed 10 Nm in the bottom plate thread.

The holes in the foot ought to be sufficiently larger than  $\varnothing 6$  so that it is possible to bring the foot to a level line at assembly/ mounting.



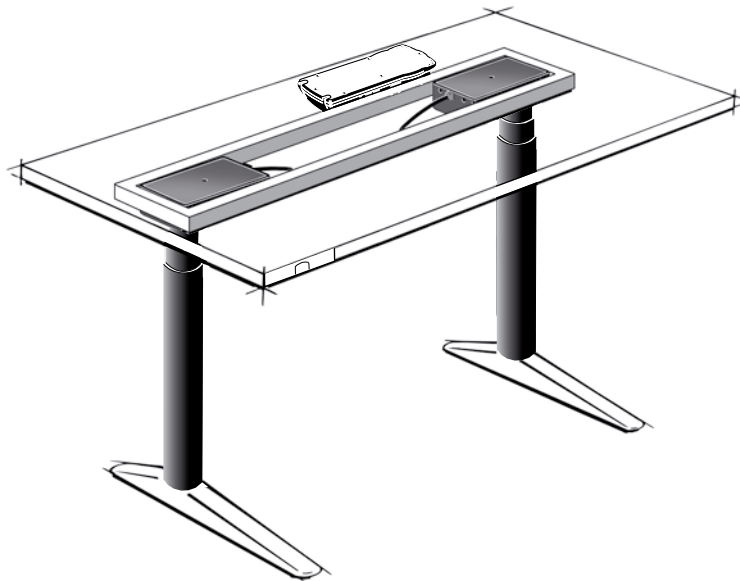
The 4 holes in the bottom of the column are placed on an  $\varnothing 46$  mm pitch circle.

## Mounting of the desk (misc.)



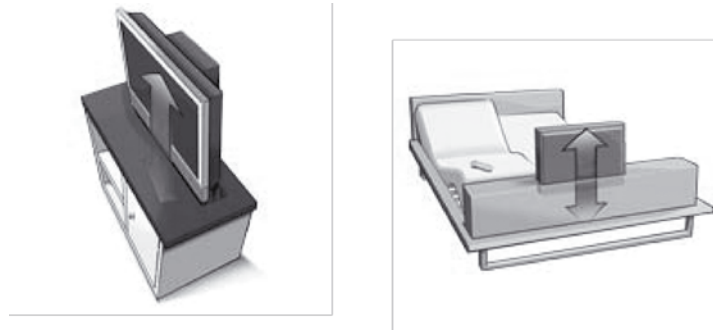
As the desktop amplifies the sound, we advise you to place a vibration/ shock absorbing material between the desktop and the desk frame.

Placement of a monitor directly above the motor housing may cause malfunction of the monitor. Magnets inside the motor may interrupt the picture on the monitor depending on the distance and type of monitor. If this is the case, the problem may be solved by placing an iron plate/tube or another magnetic material, somewhat larger than the motor housing, between the motor and the desktop.



Example of how to mount the DESKLINE® system

**Mounting guidelines of the flat screen:**



The DL11 can be mounted up side down with the motor housing hidden inside the cabinet. The strength of the bracket fixing the motor housing must also be taken into consideration: Furniture strength, stroke length and load of the flat screen.

We recommend using the 4 M6 holes in the foot part for mounting the bracket holding the flat screen.

Lifetime of the column depends among others on the applied moment. Keep the flat screen bracket as close as possible to the column.

---

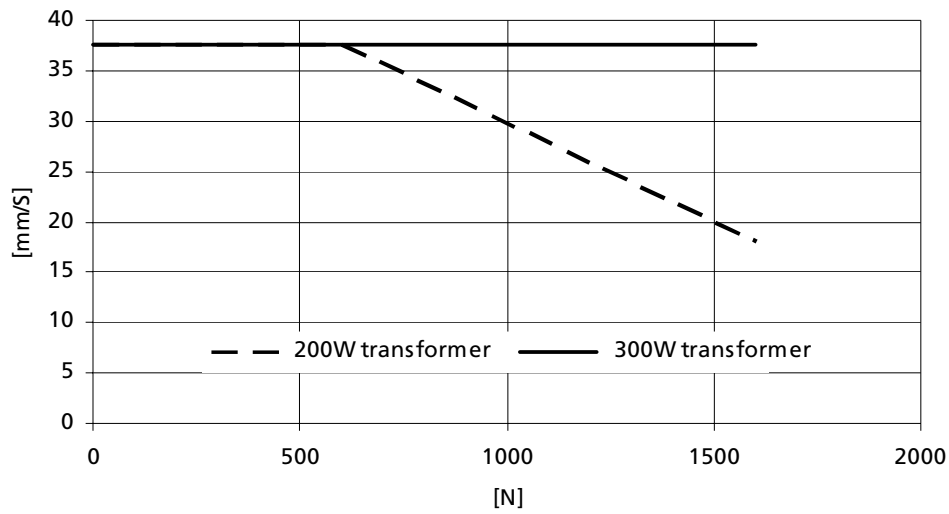
**Technical specifications :**

Type/ Application	Max. (N) per DL11	Twisting moment* Max. (Nm)	Bending moment Max. (Nm)	Self-locking (N) per DL11	Speed Unloaded (mm/s)	Duty cycle (%)
DL11 (office desks)	800	200	150	800	38	10
DL11 "XL" (flat screen)	600	200	100	600	38	5

\* The twisting/rotation moment indicates the maximum moment that the column can adapt in the rotation direction.

**DL11 Standard:**

**2 x DL11 with CBD4**



Max load of the DL11XL is 600N

The above data is measured in connection with two DL11 lifting units. The desk is driving upwards.



The above curve applies to a centrally placed load. With moment load there will be an increased friction in the columns, which will reduce the lifting force correspondingly.

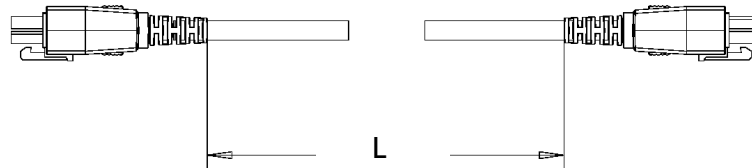


LINAK recommends that the DL11 DESKLINE® system should only be used in push applications.

**Ordering example:**

<u>DL11</u>	<u>0</u>	<u>0</u>	<u>0</u>	<u>B</u>	<u>0</u>	<u>0</u>	<u>635</u>	<u>575</u>	
									<b>Installation dim. :</b>
									575    575 mm (standard)
									740    740 mm (XL)
									<b>Stroke length :</b>
									635    635 mm (standard)
									965    965 (XL)
									<b>Motor type :</b>
									0      Standard
									<b>Option :</b>
									0      Standard
									<b>Colour :</b>
									A      Grey - RAL 9006 with black plastic parts
									B      Black - RAL 9005 (standard)
									D      White - RAL 9016
									<b>Standard :</b>
									0      Standard
									<b>Cable :</b>
									0      200 mm (standard)
									<b>Spindle type :</b>
									0      10 mm pitch (standard)
									<b>Type :</b>
									DL11

**Motor cable:**



Motor cables must be ordered separately.



Ordering numbers:      0617100 (L = 1000 mm black motor cable)  
                                  0617200 (L = 2000 mm black motor cable)  
                                  0617250 (L = 2500 mm black motor cable)

---

Specifications subject to change without prior notice.  
It is the responsibility of the product user to determine the suitability of LINAK A/S products for a specific application. LINAK will at point of delivery replace/repair defective products covered by the warranty if promptly returned to the factory. No liability is assumed beyond such replacement/repair.