

# TWINDRIVE® - CARE TDC

## Features:

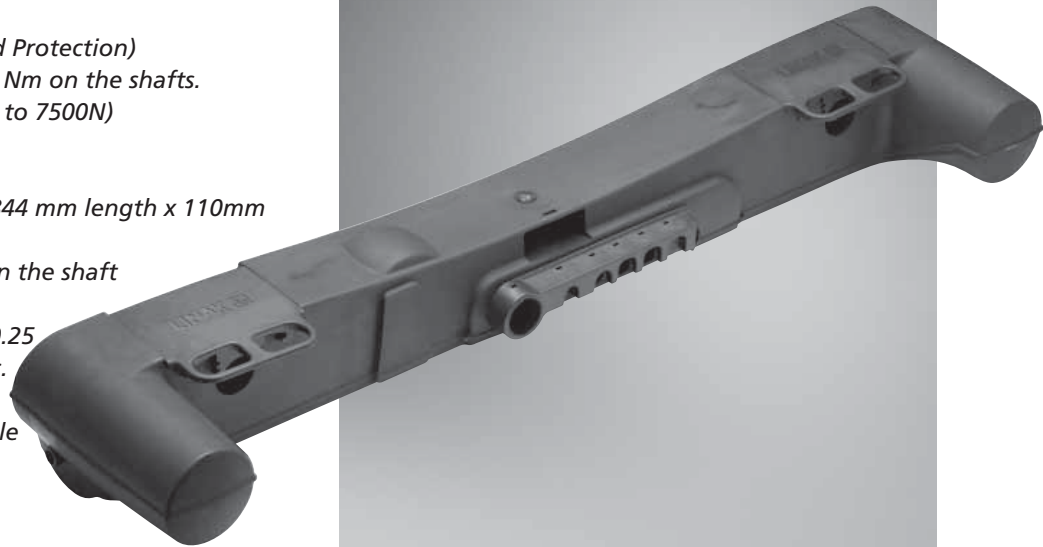
- Max output 6A
- EOP (Electronic Overload Protection)
- Torque is 350 Nm to 500 Nm on the shafts.  
(equivalent to 5000N up to 7500N)
- Colour RAL7016
- Low built-in dimensions
- Installation dimension: 844 mm length x 110mm height x 188 mm width.
- Installation dimension on the shaft 581±1 mm
- Shaft dimension  $\varnothing 32 \pm 0.25$
- Average speed: 5.0° / sec. without load
- Exchangeable mains cable
- Integrated cable lock
- Low noise level

## Options:

- Angle: up to 72°
- Class 1 protection, earth connection outside the TDC and 3 wire mains cable with pig-tail.  
Cable article number SML912229

## Usage:

- Duty cycle: Internal:10% 6 min. per hour max. 2 min.continuous use followed by 18 min. not in use. External: 5% max. 1 min. continuous use followed by 19min. not in use
- Ambient temperature: +5°C to +40°C
- Storage and transport: -10°C to +70°C
- CARELINE systems have full compliance with EN60601-1/EN1970
- Actuators that are compatible with TDC: LA27 Standard
- Handset controls: HB70/80, HL70/80 type 0X "HB40 like"



CARELINE  
IMPROVING EFFICIENCY

With the introduction of TWINDRIVE® - Care TDC, LINAK sets new standards on the market for homecare beds.

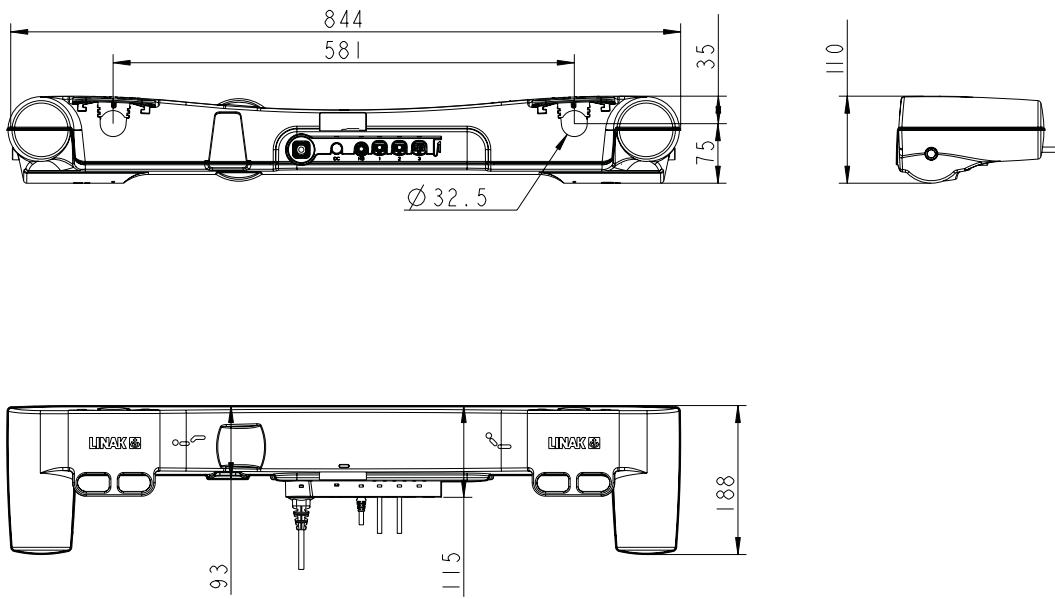
TDC is a completely new product, and part of the Hospital and Care group. It has been developed to supply the growing demands for a medically approved TWINDRIVE.

TDC is very compact with low and flat design - which makes it ideal for low height beds/floor beds.

TDC has integrated features that make life easier, among these Quality, Performance and compact design.

Each TWINDRIVE unit consists of 2 internal motors and a build-in control unit which make it a very compact unit. The mains cable is exchangeable. Only the handset and an optional 1 - 2 external actuators must be connected.

**Dimension (mm):**



**Compatible actuators:**

Actuators that are compatible with TDC: LA27 Standard



LA27

Hand controls that are compatible with TDC: HB/HL70 and HB/HL80, type OX "HB40 like"



HB70



HL70



HB80



HL80

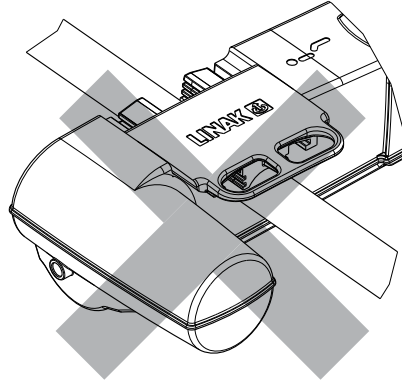


Handset cables must be with modular plug.



### Precautions

- Mains cables must be ordered separately
- Twist brackets must be ordered separately, Article No.: 0701120
- Do not open the mounting brackets on the TDC during operation
- Be sure that the mounting brackets are in place before TDC is used.

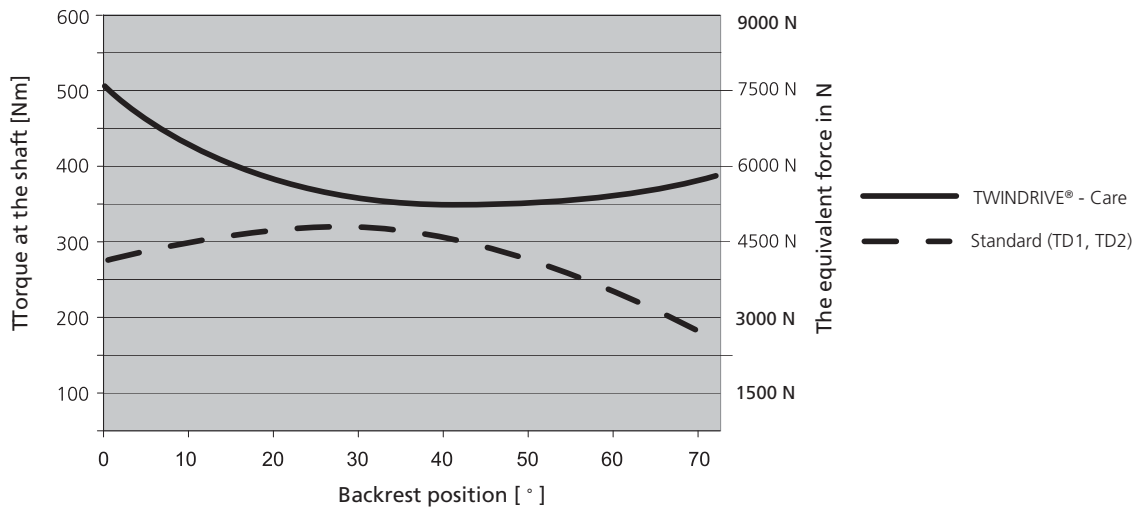


### Technical specifications:

Type	Spindle pitch (mm)	Torque Max. (Nm)	Speed at Max. torque (Degrees/sec)	Duty cycle (%)
TDC11	4	350-500	3.0° / sec.	10

The above measurements are average values.

### Curves:



## TWINDRIVE® TDC:

Ordering example:

TDC 1 1 0 2 0 D 68 45 0 9

Cable connection:	9 = Cable socket without Earth (Class II) J = Cable socket with Earth (Class I)
Quick release:	0 = No Quick release
Angle Foot rest:	45 = 45° 72 = 72°
Angle Head rest:	68 = 68° 72 = 72°
Colour:	A = Dark grey RAL 7016
Not used:	
No. of External Channels:	2 = 2 channels
Mains Voltage:	0 = 230 V
Transformer:	1 = Toroidal (125 W)
Type:	1 = Standard
Family:	TDC



Class I: (Earth connection outside the TDC and 3-wire mains cable with pig-tail needed)



Mains cable and handset must be ordered separately

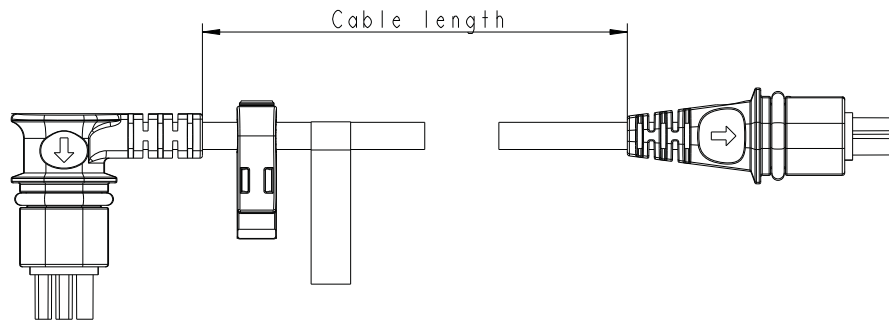


Twist bracket article no.: 0701120



Blind plugs necessary if channels for external actuators not used.  
Article no.: 009271027 (500 per bag).

Exchangeable cables (minifit to minifit) TDC to actuator - have to be ordered separately.



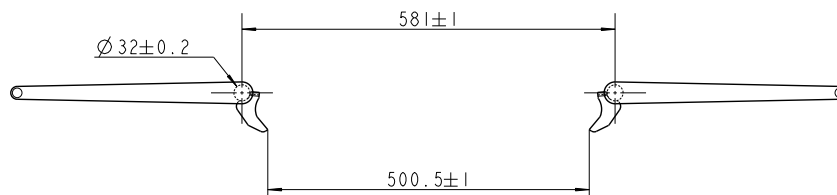
Article number:	No. of cores:	Colour:	Length:
0694003-300	6	Light Grey RAL 7035	300 mm straight
0964003-500	6		500 mm straight
0964003-1000	6		1000 mm straight
0964003-1250	6		1250 mm straight
0964003-2500	6		2500 mm straight
0964008-200	6		200 mm coiled
0964008-400	6		400 mm coiled
0277013-150-1250	6	Dark Grey RAL 7016	150 mm coiled and 1250 mm straight
0277011-200	6		200 mm straight
0277011-460	6		460 mm straight
0277011-1250	6		1250 mm straight
0277011-1700	6		1700 mm straight
0277011-2500	6		2500 mm straight
0277012-400	6		400 mm coiled
0277012-200	6		200 mm coiled

**Mounting instructions:**

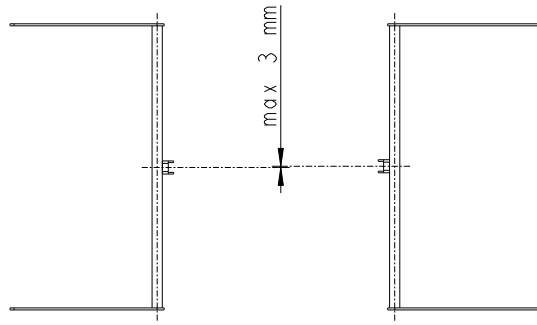
Before mounting, both mounting brackets must be pulled out. Mounting is done by pushing the bed brackets into the TDC unit and thereafter pushing the mounting brackets back again.



It is very important that the axle distance is correct

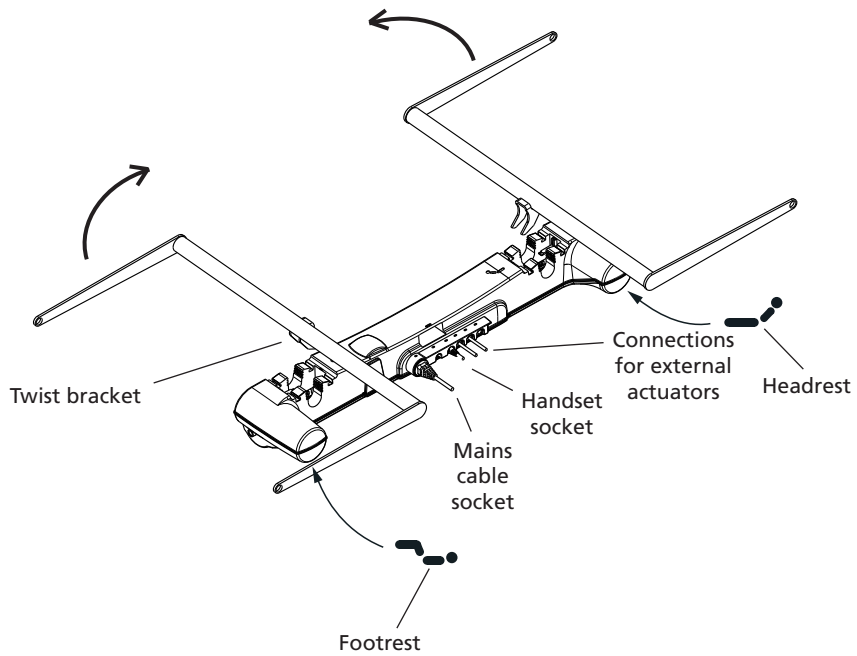


**Parallels tolerance:**

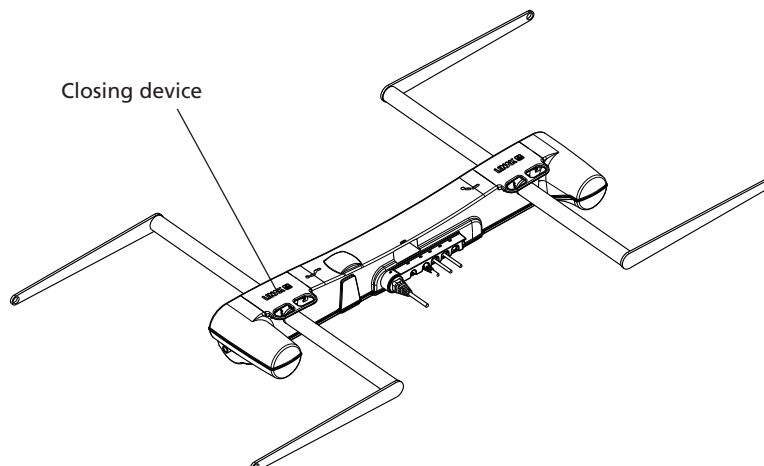


**IMPORTANT** one must be completely sure that the mounting brackets are in place before TDC is used.

**Assembly overview**

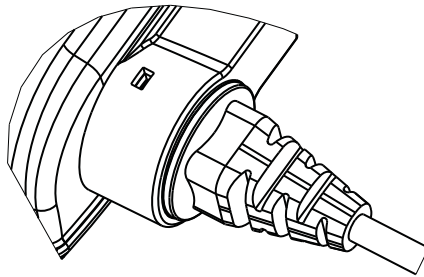
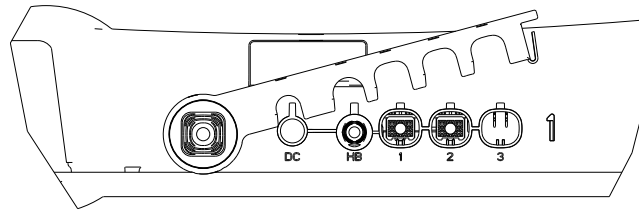


**Closing device mounted.**



### Locking mechanism:

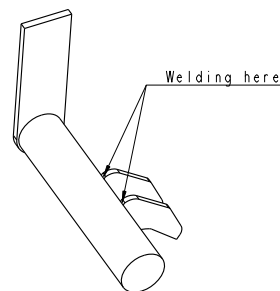
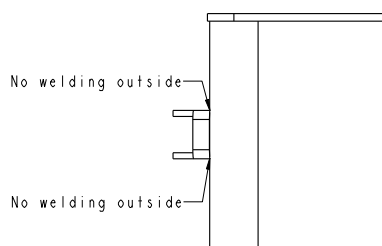
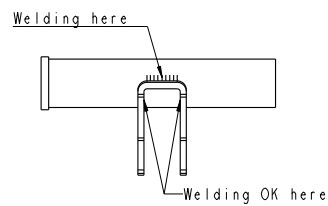
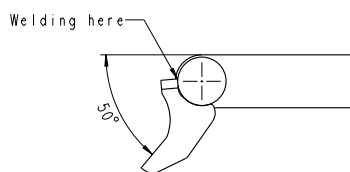
The TDC is equipped with a locking mechanism that keeps the cables locked in place. Open the locking mechanism with the help of a tool, plug in the cables and lock again.



### Dismounting of the mains cable:

To dismount the mains cable press firmly with a pair of tongs on both sides of the locking mechanism fixed to the mains cable.

### Twist Bracket:



Welding the twist bracket on the bed frame:

1) It is important that there is no welding on the outside of the twist bracket, because there is not room for a welding seam in the motor housing!

The bracket can be welded along the whole length of its ends.

2) To maintain the correct angle of rotation of the head- and food rest, it is important that the bracket is welded according to the instructions above.

---

Specifications subject to change without prior notice.  
It is the responsibility of the product user to determine the suitability of LINAK A/S products for a specific application. LINAK will at point of delivery replace/repair defective products covered by the warranty if promptly returned to the factory. No liability is assumed beyond such replacement/repair.